



Solar PV Standard Plan – Simplified Central/String Inverter Systems for One- and Two-Family Dwellings

SCOPE: Use this plan ONLY for utility-interactive central/string inverter systems not exceeding a system AC inverter output rating of 10kW on the roof of a one- or two-family dwelling or accessory structure. The photovoltaic system must interconnect to the load side of a single-phase AC service panel of nominal 120/240Vac with a bus bar rating of 225A or less. This plan is not intended for bipolar systems, hybrid systems or systems that utilize storage batteries, charge controllers, trackers, more than two inverters or more than one DC combiner (non-inverter-integrated) per inverter. Systems must be in compliance with current California Building Standards Codes and local amendments of the authority having jurisdiction (AHJ). Other Articles of the California Electrical Code (CEC) shall apply as specified in 690.3.

MANUFACTURER'S SPECIFICATION SHEETS MUST BE PROVIDED for proposed inverter, modules, combiner/junction boxes and racking systems. Installation instructions for bonding and grounding equipment shall be provided, and local AHJs may require additional details. Listed and labeled equipment shall be installed and used in accordance with any instructions included in the listing or labeling (CEC 110.3). Equipment intended for use with PV system shall be identified and listed for the application (CEC 690.4[D]).

Job Address: _____ Permit #: _____

Contractor/ Engineer Name: _____ License # and Class: _____

Signature: _____ Date: _____ Phone Number: _____

Total # of Inverters installed: _____ (If more than one inverter, complete and attach the "Supplemental Calculation Sheets" and the "Load Center Calculations" if a new load center is to be used.)

Inverter 1 AC Output Power Rating: _____ Watts

Inverter 2 AC Output Power Rating (if applicable): _____ Watts

Combined Inverter Output Power Rating: _____ \leq 10,000 Watts

Location Ambient Temperatures (Check box next to which lowest expected temperature is used):

- 1) Lowest expected ambient temperature for the location (T_L) = **Between -1 to -5 °C**
 Lowest expected ambient temperature for the location (T_L) = **Between -6 to -10 °C**
Average ambient high temperature (T_H) = 47 °C

Note: For a lower T_L or a higher T_H , use the Comprehensive Standard Plan

DC Information:

Module Manufacturer: _____ Model: _____

2) Module V_{oc} (from module nameplate): _____ Volts | 3) Module I_{sc} (from module nameplate): _____ Amps

4) Module DC output power under standard test conditions (STC) = _____ Watts (STC)

5) DC Module Layout

| Identify each source circuit (string) for inverter 1 shown on the roof plan with a Tag (e.g., A, B ,C...) | Number of modules per source circuit for inverter 1 | Identify, by tag, which source circuits on the roof are to be paralleled (if none, put N/A) |
|---|---|---|
| | | Combiner 1: |
| | | |
| | | Combiner 2: |
| | | |
| Total number of source circuits for inverter 1: | | |

6) Are DC/DC Converters used? Yes No If No, skip to STEP 7. If Yes, enter info below.

DC/DC Converter Model #: _____ DC/DC Converter Max DC Input Voltage: _____ Volts
 Max DC Output Current: _____ Amps Max DC Output Voltage: _____ Volts
 Max # of DC/DC Converters in an Input Circuit: _____ DC/DC Converter Max DC Input Power: _____ Watts

7) Max. System DC Voltage – Use A1 or A2 for systems without DC/DC converters, and B1 or B2 with DC/DC converters.

- A1. Module V_{OC} (STEP 2) = _____ x # in series (STEP 5) _____ x 1.12 (If $-1 \leq T_L \leq -5^\circ C$, STEP 1) = _____ V
- A2. Module V_{OC} (STEP 2) = _____ x # in series (STEP 5) _____ x 1.14 (If $-6 \leq T_L \leq -10^\circ C$, STEP 1) = _____ V

Table 1. Maximum Number of PV Modules in Series Based on Module Rated VOC for 600 Vdc Rated Equipment (CEC 690.7)

| | | | | | | | | | | | | | |
|---------------------------------------|-------|-------|-------|-------|-------|-------|-------|-------|-------|-------|-------|-------|-------|
| Max. Rated Module VOC (*1.12) (Volts) | 29.76 | 31.51 | 33.48 | 35.71 | 38.27 | 41.21 | 44.64 | 48.70 | 53.57 | 59.52 | 66.96 | 76.53 | 89.29 |
| Max. Rated Module VOC (*1.14) (Volts) | 29.24 | 30.96 | 32.89 | 35.09 | 37.59 | 40.49 | 43.86 | 47.85 | 52.63 | 58.48 | 65.79 | 75.19 | 87.72 |
| Max # of Modules for 600 Vdc | 18 | 17 | 16 | 15 | 14 | 13 | 12 | 11 | 10 | 9 | 8 | 7 | 6 |

Use for DC/DC converters. The value calculated below must be less than DC/DC converter max DC input voltage (STEP #6).

- B1. Module V_{OC} (STEP 2) _____ x # of modules per converter (STEP 6) _____ x 1.12 (If $-1 \leq T_L \leq -5^\circ C$, STEP 1) = _____ V
- B2. Module V_{OC} (STEP 2) _____ x # of modules per converter (STEP 6) _____ x 1.14 (If $-6 \leq T_L \leq -10^\circ C$, STEP 1) = _____ V

Table 2. Largest Module VOC for Single-Module DC/DC Converter Configurations (With 80V AFCI Cap) (CEC 690.7 and 690.11)

| | | | | | | | | | | | | | | | | |
|--|------|------|------|------|------|------|------|------|------|------|------|------|------|------|------|------|
| Max. Rated Module VOC (*1.12) (Volts) | 30.4 | 33.0 | 35.7 | 38.4 | 41.1 | 43.8 | 46.4 | 49.1 | 51.8 | 54.5 | 57.1 | 59.8 | 62.5 | 65.2 | 67.9 | 70.5 |
| Max. Rated Module VOC (*1.14) (Volts) | 29.8 | 32.5 | 35.1 | 37.7 | 40.4 | 43.0 | 45.6 | 48.2 | 50.9 | 53.5 | 56.1 | 58.8 | 61.4 | 64.0 | 66.7 | 69.3 |
| DC/DC Converter Max DC Input (STEP #6) (Volts) | 34 | 37 | 40 | 43 | 46 | 49 | 52 | 55 | 58 | 61 | 64 | 67 | 70 | 73 | 76 | 79 |

8) Maximum System DC Voltage from DC/DC Converters to Inverter – Only required if Yes in STEP 6
 Maximum System DC Voltage = _____ Volts

9) Maximum Source Circuit Current

Is Module I_{SC} below 9.6 Amps (STEP 3)? Yes No (if No, use Comprehensive Standard Plan)

10) Sizing Source Circuit Conductors

Source Circuit Conductor Size = Min. #10 AWG copper conductor, 90°C wet (USE-2, PV Wire, XHHW-2, THWN-2, RHW-2)

For up to 8 conductors in roof-mounted conduit exposed to sunlight at least 1/2" from the roof covering (CEC 310)

Note: For over 8 conductors in the conduit or mounting height of lower than 1/2" from the roof, use Comprehensive Plan.

11) Are PV source circuits combined prior to the inverter?)? Yes No

If No, use Single Line Diagram 1 with Single Line Diagram 3 and proceed to STEP 13.

If Yes, use Single Line Diagram 2 with Single Line Diagram 4 and proceed to STEP 12.

Is source circuit OCPD required? Yes No

Source circuit OCPD size (if needed): 15 Amps

12) Sizing PV Output Circuit Conductors – If a combiner box will NOT be used from [STEP 11],

Output Circuit Conductor Size = Min. #6 AWG copper conductor

13) Inverter DC Disconnect

Does the inverter have an integrated DC disconnect? Yes No If yes, proceed to STEP 14.

If no, the external DC disconnect to be installed is rated for _____ Amps (DC) and _____ Volts (DC)

14) Inverter information

Manufacturer: _____ Model: _____

Max. Continuous AC Output Current Rating: _____ Amps

Integrated DC Arc-Fault Circuit Protection? Yes No (If No is selected, Comprehensive Standard Plan)

Grounded or Ungrounded System: Grounded Ungrounded

AC Information:

15) Sizing Inverter Output Circuit Conductors and OCPD

Inverter Output OCPD rating = _____ Amps (Table 3)

Inverter Output Circuit Conductor Size = _____ AWG (Table 3)

Table 3. Minimum Inverter Output OCPD and Circuit Conductor Size

| Inverter Continuous Output Current Rating (Amps) (STEP#14) | 12 | 16 | 20 | 24 | 28 | 32 | 36 | 40 | 48 |
|--|----|----|----|----|----|----|----|----|----|
| Minimum OCPD Size (Amps) | 15 | 20 | 25 | 30 | 35 | 40 | 45 | 50 | 60 |
| Minimum Conductor Size (AWG, 75°C, Copper) | 14 | 12 | 10 | 10 | 8 | 8 | 6 | 6 | 6 |

Integrated DC Arc-Fault Circuit Protection? Yes No (If No is selected, Comprehensive Standard Plan)

Grounded or Ungrounded System? Grounded Ungrounded

16) Point of Connection to Utility

Only load side connections are permitted with this plan. Otherwise, use Comprehensive Standard Plan.

Is the PV OCPD positioned at the opposite end from input feeder location or main OCPD location? Yes No

If Yes, circle the Max Combined PV System OCPD(s) at 120% value as determined from STEP 15 (or STEP S20), bus bar Rating, and Main OCPD as shown in Table 4.

If No, circle the Max Combined PV System OCPD(s) at 100% value as determined from STEP 15 (or STEP S20), bus bar Rating, and Main OCPD as shown in Table 4.

Per 705.12(D)(2): [Inverter output OCPD size [STEP #15 or S20] + Main OCPD Size] ≤ [bus size × (100% or 120%)]

Table 4. Maximum Combined Supply OCPDs Based on Bus Bar Rating (Amps) per CEC 705.12(D)(2)

| Bus bar Rating | 100 | 125 | 125 | 200 | 200 | 200 | 225 | 225 | 225 |
|---|-----|-----|-----|-----|-----|-----|-----|-----|-----|
| Main OCPD | 100 | 100 | 125 | 150 | 175 | 200 | 175 | 200 | 225 |
| Max Combined PV System OCPD(s) at 120% of bus bar Rating | 20 | 50 | 25 | 60* | 60* | 40 | 60* | 60* | 45 |
| Max Combined PV System OCPD(s) at 100% of bus bar Rating | 0 | 25 | 0 | 50 | 25 | 0 | 50 | 25 | 0 |

*This value has been lowered to 60 A from the calculated value to reflect 10kW AC size maximum.

Reduction of the main breaker is not permitted with this plan. Otherwise, use Comprehensive Standard Plan.

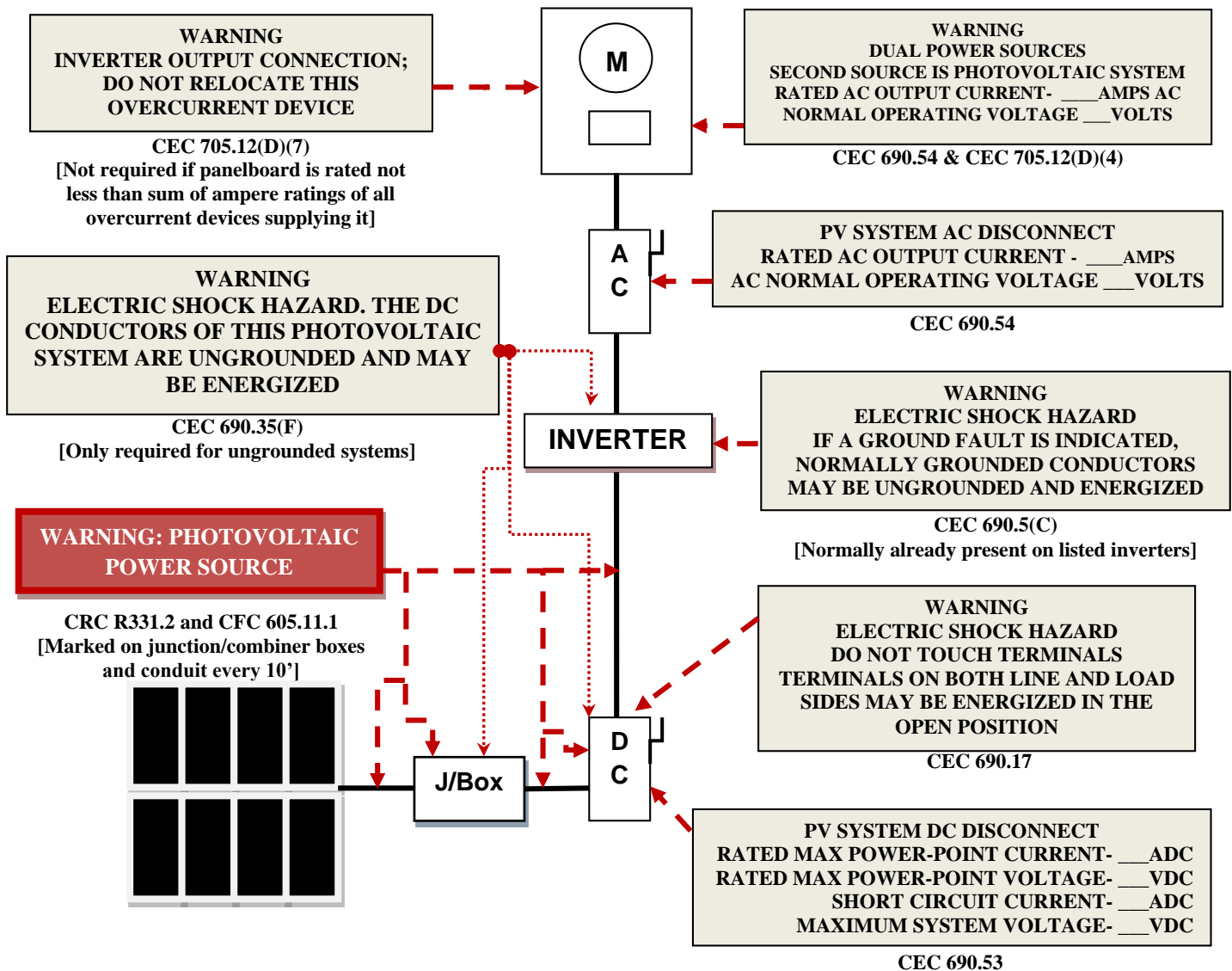
17 & 18 & 19) Labels and Grounding and Bonding

This content is covered by the labels on Page 4 and the Single Line Diagram(s). For background information, refer to the Comprehensive Standard Plan.

Solar PV Standard Plan – Simplified Central/String Inverter Systems for One- and Two-Family Dwellings

Markings

CEC Articles 690 and 705 and CRC Section R331 require the following labels or markings be installed at these components of the photovoltaic system:



Code Abbreviations:

- California Electrical Code (CEC)
- California Residential Code (CRC)
- California Fire Code (CFC)

Informational note: ANSI Z535.4 provides guidelines for the design of safety signs and labels for application to products. A phenolic plaque with contrasting colors between the text and background would meet the intent of the code for permanency. No type size is specified, but 20 point (3/8") should be considered the minimum.

CEC 705.12 requires a permanent plaque or directory denoting all electric power sources on or in the premises.

Solar PV Standard Plan – Simplified Central/String Inverter System for One- and Two-Family Dwellings

| △ TAG | DESCRIPTION |
|-------|---|
| 1 | SOLAR PV MODULE / STRING |
| 2 | DC/DC CONVERTERS INSTALLED? YES / NO (IF YES, STEPS 6 & 8 REQUIRED) |
| 3 | SOURCE CIRCUIT JUNCTION BOX INSTALLED?: YES / NO |
| 4 | SEPARATE DC DISCONNECT INSTALLED?: YES / NO |
| 5 | INTERNAL INVERTER DC DISCONNECT: YES / NO |
| 6 | CENTRAL INVERTER |
| 7 | LOAD CENTER INSTALLED?: YES / NO |
| 8 | PV PRODUCTION METER INSTALLED?: YES / NO |
| 9 | *SEPARATE AC DISCONNECT INSTALLED?: YES / NO |
| 10 | CONNECT TO INVERTER #2 (USE LINE DIAGRAM 2) |

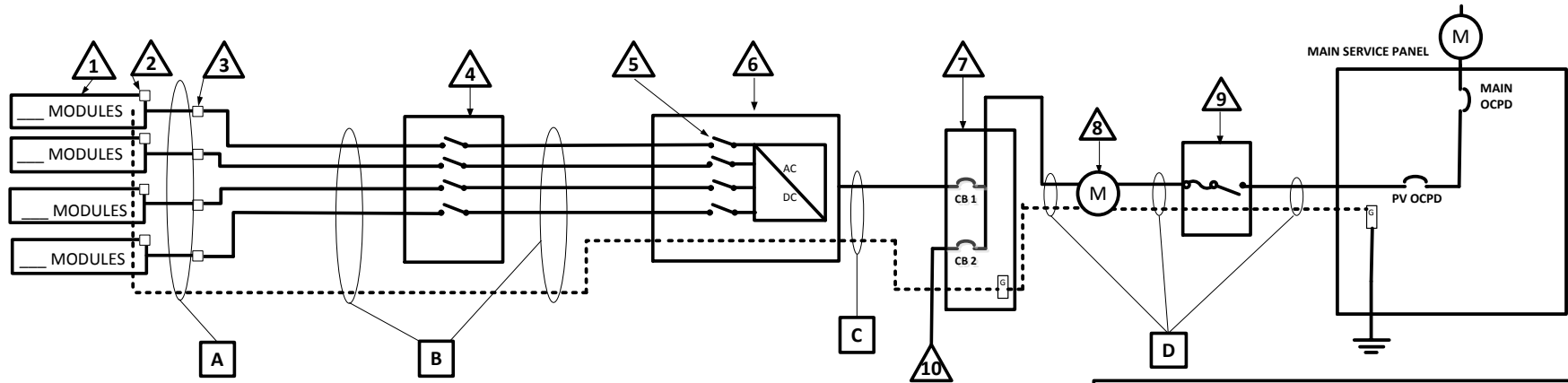
* Consult with your local AHJ and /or Utility

SINGLE-LINE DIAGRAM #1 – NO STRINGS COMBINED PRIOR TO INVERTER

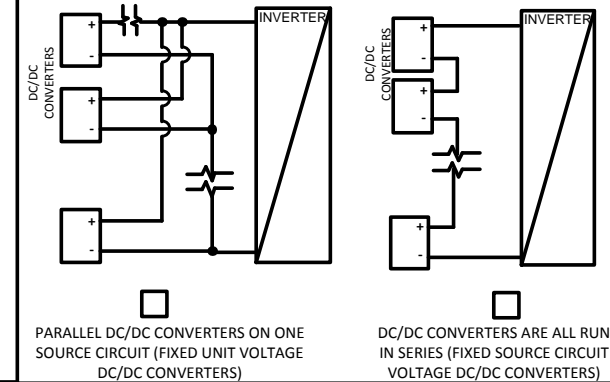
CHECK A BOX FOR WHETHER SYSTEM IS GROUNDED OR UNGROUNDED: GROUNDED (INCLUDE GEC) UNGROUNDED

FOR UNGROUNDED SYSTEMS:

- DC OCPD MUST DISCONNECT BOTH CONDUCTORS OF EACH SOURCE CIRCUIT
- UNGROUNDED CONDUCTORS MUST BE IDENTIFIED PER 210.5(C). WHITE-FINISHED CONDUCTORS ARE NOT PERMITTED.



IF DC/DC CONVERTERS ARE USED, CHECK THE BOX BELOW THE CORRESPONDING CONFIGURATION



PARALLEL DC/DC CONVERTERS ON ONE SOURCE CIRCUIT (FIXED UNIT VOLTAGE DC/DC CONVERTERS)

DC/DC CONVERTERS ARE ALL RUN IN SERIES (FIXED SOURCE CIRCUIT VOLTAGE DC/DC CONVERTERS)

| CONDUCTOR/CONDUIT SCHEDULE | | | | | |
|----------------------------|--|----------------|----------------------|--------------------|--------------|
| □ TAG | DESCRIPTION AND CONDUCTOR TYPE | CONDUCTOR SIZE | NUMBER OF CONDUCTORS | CONDUIT/CABLE TYPE | CONDUIT SIZE |
| A | USE-2 <input type="checkbox"/> OR PV-WIRE <input type="checkbox"/> | | | | |
| | EGC/GEC: | | | | |
| B | | | | | |
| | EGC/GEC: | | | | |
| C | | | | | |
| | EGC/GEC: | | | | |
| D | | | | | |
| | EGC/GEC: | | | | |

ENTER "N/A" WHERE SUITABLE FOR WHEN NOT USING CONDUIT OR CABLE AS PERMITTED BY CODE

Solar PV Standard Plan – Simplified Central/String Inverter System for One- and Two-Family Dwellings

| △ TAG | DESCRIPTION |
|-------|---|
| 1 | SOLAR PV MODULE / STRING |
| 2 | DC/DC CONVERTERS INSTALLED? YES / NO (IF YES, STEPS 6 & 8 REQUIRED) |
| 3 | SOURCE CIRCUIT JUNCTION BOX INSTALLED?: YES / NO |
| 4 | COMBINER BOX (STEPS 11 & 12 REQUIRED) |
| 5 | SEPARATE DC DISCONNECT INSTALLED?: YES / NO |
| 6 | INTERNAL INVERTER DC DISCONNECT: YES / NO |
| 7 | CENTRAL INVERTER |
| 8 | LOAD CENTER INSTALLED?: YES / NO |
| 9 | PV PRODUCTION METER INSTALLED?: YES / NO |
| 10 | *SEPARATE AC DISCONNECT INSTALLED?: YES / NO |
| 11 | CONNECT TO INVERTER #2 (USE LINE DIAGRAM 4) |

* Consult with your local AHJ and /or Utility

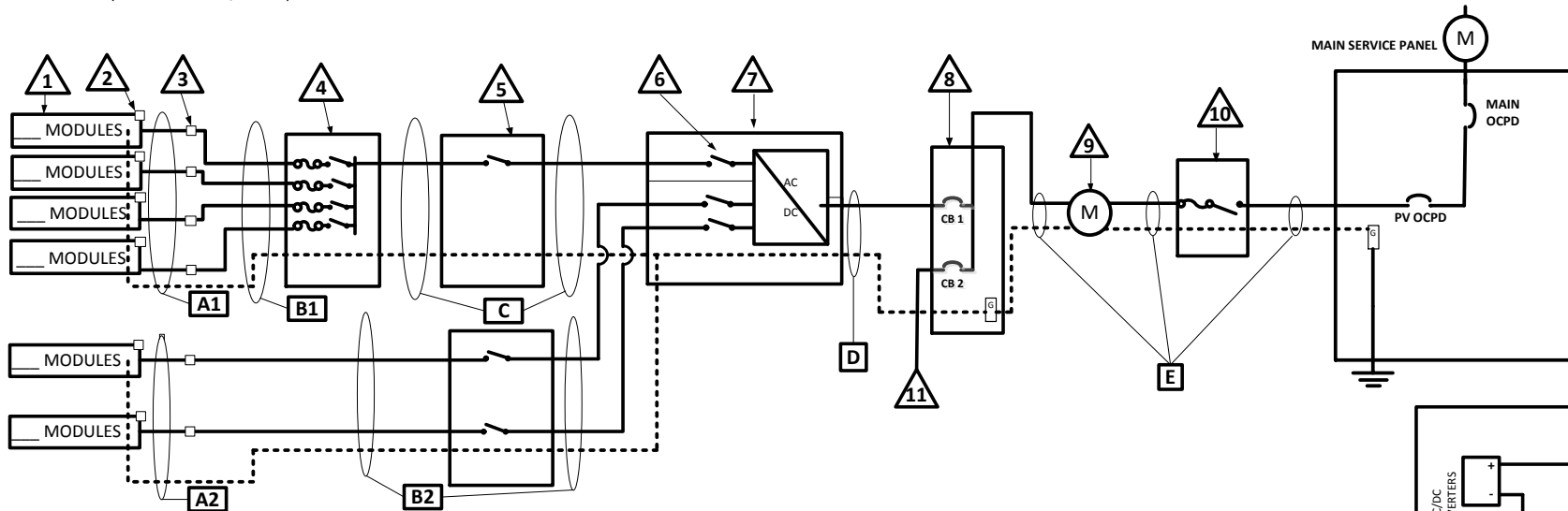
SINGLE-LINE DIAGRAM #2 – COMBINING STRINGS PRIOR TO INVERTER

CHECK A BOX FOR WHETHER SYSTEM IS GROUNDED OR UNGROUNDED: GROUNDED (INCLUDE GEC) UNGROUNDED

FOR UNGROUNDED SYSTEMS:

- DC OCPD MUST DISCONNECT BOTH CONDUCTORS OF EACH SOURCE CIRCUIT

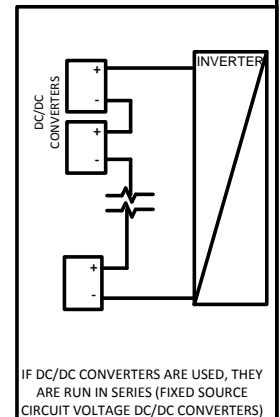
- UNGROUNDED CONDUCTORS MUST BE IDENTIFIED PER 210.5(C). WHITE-FINISHED CONDUCTORS ARE NOT PERMITTED.



| COMBINER CONDUCTOR/CONDUIT SCHEDULE | | | | | |
|-------------------------------------|--|----------------|----------------------|--------------------|--------------|
| □ TAG | DESCRIPTION AND CONDUCTOR TYPE | CONDUCTOR SIZE | NUMBER OF CONDUCTORS | CONDUIT/CABLE TYPE | CONDUIT SIZE |
| A1 | USE-2 <input type="checkbox"/> OR PV-WIRE <input type="checkbox"/> | | | | |
| | EGC/GEC: | | | | |
| B1 | | | | | |
| | EGC/GEC: | | | | |
| C | | | | | |
| | EGC/GEC: | | | | |
| D | | | | | |
| | EGC/GEC: | | | | |
| E | | | | | |
| | EGC/GEC: | | | | |

| NON-COMBINED STRINGS CONDUCTOR/CONDUIT SCHEDULE (IF APPLICABLE) | | | | | |
|---|--|----------------|----------------------|--------------------|--------------|
| □ TAG | DESCRIPTION AND CONDUCTOR TYPE | CONDUCTOR SIZE | NUMBER OF CONDUCTORS | CONDUIT/CABLE TYPE | CONDUIT SIZE |
| A2 | USE-2 <input type="checkbox"/> OR PV-WIRE <input type="checkbox"/> | | | | |
| | EGC/GEC: | | | | |
| B2 | | | | | |
| | EGC/GEC: | | | | |

ENTER "N/A" WHERE SUITABLE FOR WHEN NOT USING CONDUIT OR CABLE AS PERMITTED BY CODE



Solar PV Standard Plan — Simplified
Central/String Inverter Systems for One- and Two-Family Dwellings
Supplemental Calculation Sheets for Inverter #2
(Only include if second inverter is used)

DC Information:

| | | |
|--|---|---|
| Module Manufacturer: _____ | | Model: _____ |
| S2) Module V_{oc} (from module nameplate): _____ Volts | | S3) Module I_{sc} (from module nameplate): _____ Amps |
| S4) Module DC output power under standard test conditions (STC) = _____ Watts (STC) | | |
| S5) DC Module Layout | | |
| Identify each source circuit (string) for inverter 1 shown on the roof plan with a Tag (e.g., A, B, C ...) | Number of modules per source circuit for inverter 1 | Identify, by tag, which source circuits on the roof are to be paralleled (if none, put N/A) |
| | | Combiner 1: |
| | | |
| | | |
| | | Combiner 2: |
| | | |
| | | |
| Total number of source circuits for inverter 1: _____ | | |
| S6) <u>Are DC/DC Converters used?</u> <input type="checkbox"/> Yes <input type="checkbox"/> No | | If No, skip to STEP#S7. If Yes, enter info below. |
| DC/DC Converter Model #: _____ | | DC/DC Converter Max DC Input Voltage: _____ Volts |
| Max DC Output Current: _____ Amps | | Max DC Output Voltage: _____ Volts |
| Max # of DC/DC Converters in a source circuit: _____ | | DC/DC Converter Max DC Input Power: _____ Watts |

S7) Max. System DC Voltage – Use A1 or A2 for systems without DC/DC converters, and B1 or B2 with DC/DC converters.

- A1. Module V_{oc} (STEP S2) = _____ x # in series (STEP S5) _____ x 1.12 (If $-1 \leq T_L \leq -5^\circ\text{C}$, STEP S1) = _____ V
 A2. Module V_{oc} (STEP S2) = _____ x # in series (STEP S5) _____ x 1.14 (If $-6 \leq T_L \leq -10^\circ\text{C}$, STEP S1) = _____ V

Table 1. Maximum Number of PV Modules in Series Based on Module Rated VOC for 600 Vdc Rated Equipment (CEC 690.7)

| | | | | | | | | | | | | | |
|---------------------------------------|-------|-------|-------|-------|-------|-------|-------|-------|-------|-------|-------|-------|-------|
| Max. Rated Module VOC (*1.12) (Volts) | 29.76 | 31.51 | 33.48 | 35.71 | 38.27 | 41.21 | 44.64 | 48.70 | 53.57 | 59.52 | 66.96 | 76.53 | 89.29 |
| Max. Rated Module VOC (*1.14) (Volts) | 29.24 | 30.96 | 32.89 | 35.09 | 37.59 | 40.49 | 43.86 | 47.85 | 52.63 | 58.48 | 65.79 | 75.19 | 87.72 |
| Max # of Modules for 600 Vdc | 18 | 17 | 16 | 15 | 14 | 13 | 12 | 11 | 10 | 9 | 8 | 7 | 6 |

Use for DC/DC converters. The value calculated below must be less than DC/DC converter max DC input voltage (STEP #S6).

- B1. Module V_{oc} (STEP#S2) _____ x # of modules per converter (STEP S6) _____ x 1.12 (If $-1 \leq T_L \leq -5^\circ\text{C}$, STEP S1) = _____ V
 B2. Module V_{oc} (STEP#S2) _____ x # of modules per converter (STEP S6) _____ x 1.14 (If $-6 \leq T_L \leq -10^\circ\text{C}$, STEP S1) = _____ V

Table 2. Largest Module VOC for Single-Module DC/DC Converter Configurations (With 80V AFCI Cap) (CEC 690.7 and 690.11)

| | | | | | | | | | | | | | | | | |
|--|------|------|------|------|------|------|------|------|------|------|------|------|------|------|------|------|
| Max. Rated Module VOC (*1.12) (Volts) | 30.4 | 33.0 | 35.7 | 38.4 | 41.1 | 43.8 | 46.4 | 49.1 | 51.8 | 54.5 | 57.1 | 59.8 | 62.5 | 65.2 | 67.9 | 70.5 |
| Max. Rated Module VOC (*1.14) (Volts) | 29.8 | 32.5 | 35.1 | 37.7 | 40.4 | 43.0 | 45.6 | 48.2 | 50.9 | 53.5 | 56.1 | 58.8 | 61.4 | 64.0 | 66.7 | 69.3 |
| DC/DC Converter Max DC Input (STEP #6) (Volts) | 34 | 37 | 40 | 43 | 46 | 49 | 52 | 55 | 58 | 61 | 64 | 67 | 70 | 73 | 76 | 79 |

S8) Maximum System DC Voltage from DC/DC Converters to Inverter – Only required if Yes in STEP S6

Maximum System DC Voltage = _____ Volts

S9) Maximum Source Circuit Current

Is Module ISC below 9.6 Amps (STEP S3)? Yes No (if No, use Comprehensive Standard Plan)

S10) Sizing Source Circuit Conductors:

Source Circuit Conductor Size = Min. #10 AWG copper conductor, 90°C wet (USE-2, PV Wire, XHHW-2, THWN-2, RHW-2)

For up to 8 conductors in roof-mounted conduit exposed to sunlight at least ½" from the roof covering (CEC 310)

Note: For over 8 conductors in the conduit or mounting height of lower than ½" from the roof, use Comprehensive Plan.

S11) Are PV source circuits combined prior to the inverter? Yes No

If No, use Single Line Diagram 1 with Single Line Diagram 3 and proceed to STEP S13.

If Yes, use Single Line Diagram 2 with Single Line Diagram 4 and proceed to STEP S12.

Is source circuit OCPD required? Yes No

Source circuit OCPD size (if needed): 15 Amps

S12) Sizing PV Output Circuit Conductors – If a Combiner box will NOT be used from [STEP#S11],

Output Circuit Conductor Size = Min. #6 AWG copper conductor

S13) Inverter DC Disconnect

Does the inverter have an integrated DC disconnect? Yes No If yes, proceed to STEP S14.

If No, the external DC disconnect to be installed is rated for _____ Amps (DC) and _____ Volts (DC)

S14) Inverter information:

Manufacturer: _____ Model: _____

Max. Continuous AC Output Current Rating: _____ Amps

Integrated DC Arc-Fault Circuit Protection? Yes No (If No is selected, Comprehensive Standard Plan)

Grounded or Ungrounded System: GROUNDED UNGROUNDED

AC Information:

S15) Sizing Inverter Output Circuit Conductors and OCPD:

Inverter Output OCPD rating = _____ Amps (Table 3)

Inverter Output Circuit Conductor Size = _____ AWG (Table 3)

Table 3. Minimum Inverter Output OCPD and Circuit Conductor Size

| Inverter Continuous Output Current Rating (Amps) (STEP 14) | 12 | 16 | 20 | 24 | 28 | 32 | 36 | 40 | 48 |
|--|----|----|----|----|----|----|----|----|----|
| Minimum OCPD Size (Amps) | 15 | 20 | 25 | 30 | 35 | 40 | 45 | 50 | 60 |
| Minimum Conductor Size (AWG, 75°C, Copper) | 14 | 12 | 10 | 10 | 8 | 8 | 6 | 6 | 6 |

Load Center Calculations

(Omit if a load center will not be installed for PV OCPDs)

S20) Load Center Output:

Calculate the sum of the maximum AC outputs from each inverter.

Inverter #1 Max Continuous AC Output Current Rating[STEP S14] _____ × 1.25 = _____ Amps

Inverter #2 Max Continuous AC Output Current Rating[STEP S14] _____ × 1.25 = _____ Amps

Total inverter currents connected to load center (sum of above) = _____ Amps

Conductor Size: _____ AWG

Overcurrent Protection Device: _____ Amps

Load center bus bar rating: _____ Amps

The sum of the ampere ratings of overcurrent devices in circuits supplying power to a bus bar or conductor shall not exceed 120 percent of the rating of the bus bar or conductor.

Solar PV Standard Plan – Simplified Central/String Inverter System for One- and Two-Family Dwellings

| △ TAG | DESCRIPTION |
|-------|---|
| 1 | SOLAR PV MODULE / STRING |
| 2 | DC/DC CONVERTERS INSTALLED? YES / NO (IF YES, STEPS 6 & 8 REQUIRED) |
| 3 | SOURCE CIRCUIT JUNCTION BOX INSTALLED?: YES / NO |
| 4 | SEPARATE DC DISCONNECT INSTALLED?: YES / NO |
| 5 | INTERNAL INVERTER DC DISCONNECT: YES / NO |
| 6 | CENTRAL INVERTER |
| 7 | *SEPARATE AC DISCONNECT INSTALLED?: YES / NO |
| 8 | TO LOAD CENTER ON LINE DIAGRAM 1 |

* Consult with your local AHJ and /or Utility

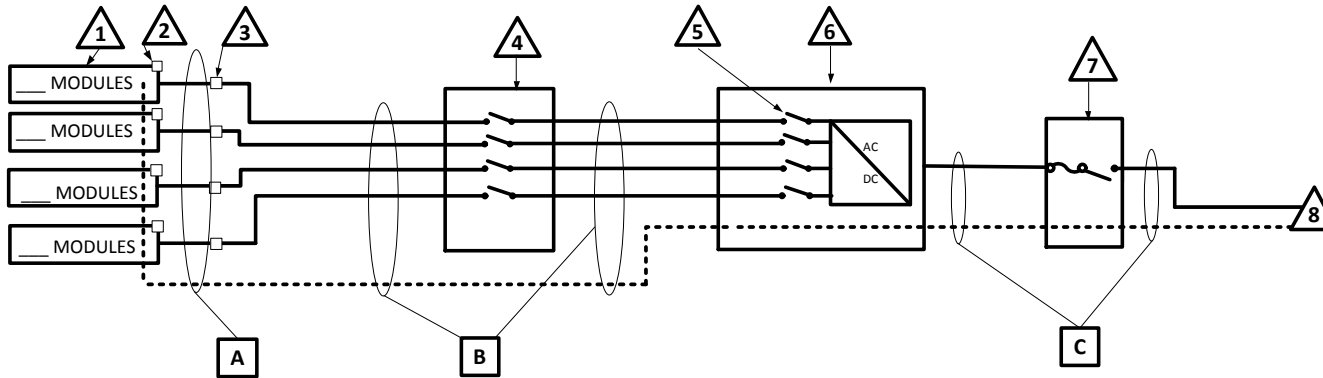
SINGLE-LINE DIAGRAM #3 – ADDITIONAL INVERTER FOR DIAGRAM #1

INVERTER # 2

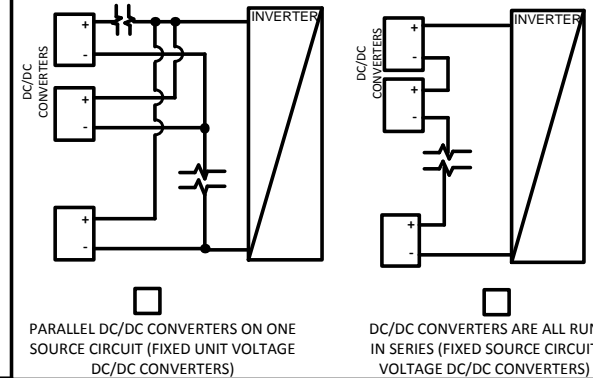
CHECK A BOX FOR WHETHER SYSTEM IS GROUNDED OR UNGROUNDED: GROUNDED (INCLUDE GEC) UNGROUNDED

FOR UNGROUNDED SYSTEMS:

- DC OCPD MUST DISCONNECT BOTH CONDUCTORS OF EACH SOURCE CIRCUIT
- UNGROUNDED CONDUCTORS MUST BE IDENTIFIED PER 210.5(C). WHITE-FINISHED CONDUCTORS ARE NOT PERMITTED.



IF DC/DC CONVERTERS ARE USED, CHECK THE BOX BELOW THE CORRESPONDING CONFIGURATION



ENTER "N/A" WHERE SUITABLE FOR WHEN NOT USING CONDUIT OR CABLE AS PERMITTED BY CODE

CONDUITOR/CONDUIT SCHEDULE

| <input type="checkbox"/> TAG | DESCRIPTION AND CONDUCTOR TYPE | CONDUCTOR SIZE | NUMBER OF CONDUCTORS | CONDUIT/CABLE TYPE | CONDUIT SIZE |
|------------------------------|--|----------------|----------------------|--------------------|--------------|
| A | USE-2 <input type="checkbox"/> OR PV-WIRE <input type="checkbox"/> | | | | |
| | EGC/EGC: | | | | |
| B | | | | | |
| | EGC/EGC: | | | | |
| C | | | | | |
| | EGC/EGC: | | | | |

Solar PV Standard Plan – Simplified Central/String Inverter System for One- and Two-Family Dwellings

| △ TAG | DESCRIPTION |
|-------|---|
| 1 | SOLAR PV MODULE / STRING |
| 2 | DC/DC CONVERTERS INSTALLED? YES / NO (IF YES, STEPS 6 & 8 REQUIRED) |
| 3 | SOURCE CIRCUIT JUNCTION BOX INSTALLED?: YES / NO |
| 4 | COMBINER BOX (STEPS 11 & 12 REQUIRED) |
| 5 | SEPARATE DC DISCONNECT INSTALLED?: YES / NO |
| 6 | INTERNAL INVERTER DC DISCONNECT: YES / NO |
| 7 | CENTRAL INVERTER |
| 8 | *SEPARATE AC DISCONNECT INSTALLED?: YES / NO |
| 9 | TO LOAD CENTER ON LINE DIAGRAM 3 |

* Consult with your local AHJ and /or Utility

SINGLE-LINE DIAGRAM #4 – ADDITIONAL INVERTER FOR DIAGRAM #2

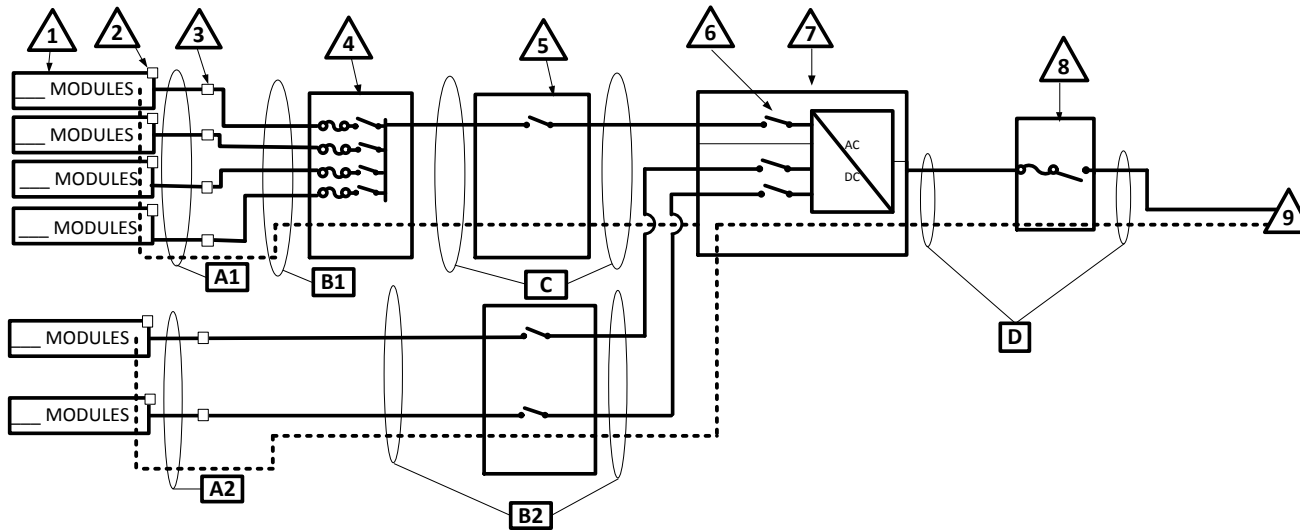
INVERTER # 2

CHECK A BOX FOR WHETHER SYSTEM IS GROUNDED OR UNGROUNDED: GROUNDED (INCLUDE GEC) UNGROUNDED

FOR UNGROUNDED SYSTEMS:

- DC OCPD MUST DISCONNECT BOTH CONDUCTORS OF EACH SOURCE CIRCUIT

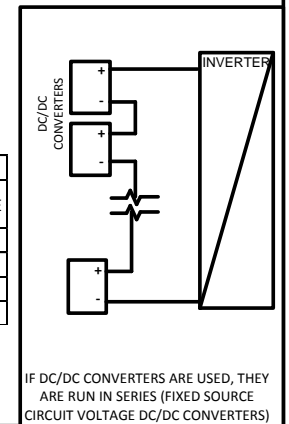
- UNGROUNDED CONDUCTORS MUST BE IDENTIFIED PER 210.5(C). WHITE-FINISHED CONDUCTORS ARE NOT PERMITTED.



| COMBINER CONDUCTOR/CONDUIT SCHEDULE | | | | | |
|-------------------------------------|--|----------------|----------------------|--------------------|--------------|
| □ TAG | DESCRIPTION AND CONDUCTOR TYPE | CONDUCTOR SIZE | NUMBER OF CONDUCTORS | CONDUIT/CABLE TYPE | CONDUIT SIZE |
| A1 | USE-2 <input type="checkbox"/> OR PV-WIRE <input type="checkbox"/> | | | | |
| | EGC/GEC: | | | | |
| B1 | | | | | |
| | EGC/GEC: | | | | |
| C | | | | | |
| | EGC/GEC: | | | | |
| D | | | | | |
| | EGC/GEC: | | | | |

| NON-COMBINED STRINGS CONDUCTOR/CONDUIT SCHEDULE (IF APPLICABLE) | | | | | |
|---|--|----------------|----------------------|--------------------|--------------|
| □ TAG | DESCRIPTION AND CONDUCTOR TYPE | CONDUCTOR SIZE | NUMBER OF CONDUCTORS | CONDUIT/CABLE TYPE | CONDUIT SIZE |
| A2 | USE-2 <input type="checkbox"/> OR PV-WIRE <input type="checkbox"/> | | | | |
| | EGC/GEC: | | | | |
| B2 | | | | | |
| | EGC/GEC: | | | | |

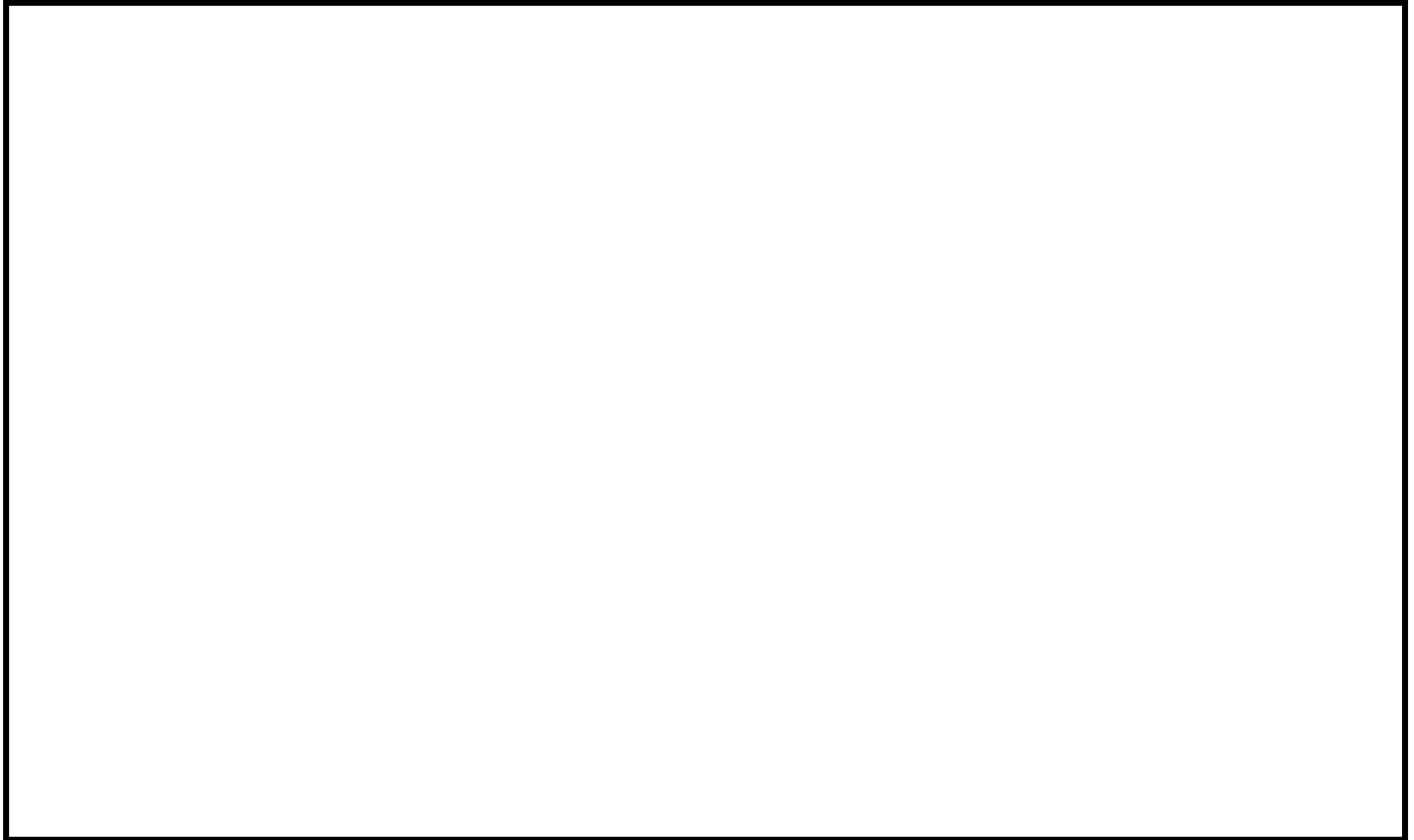
ENTER "N/A" WHERE SUITABLE FOR WHEN NOT USING CONDUIT OR CABLE AS PERMITTED BY CODE



IF DC/DC CONVERTERS ARE USED, THEY ARE RUN IN SERIES (FIXED SOURCE CIRCUIT VOLTAGE DC/DC CONVERTERS)

SOLAR PV STANDAR PLAN

Roof Layout Diagram for One- and Two-Family Dwellings



Items required: roof layout of all panels, modules, clear access pathways and approximate locations of electrical disconnecting means and roof access points.